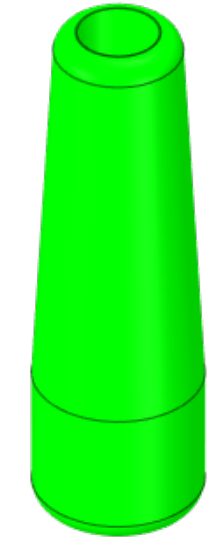
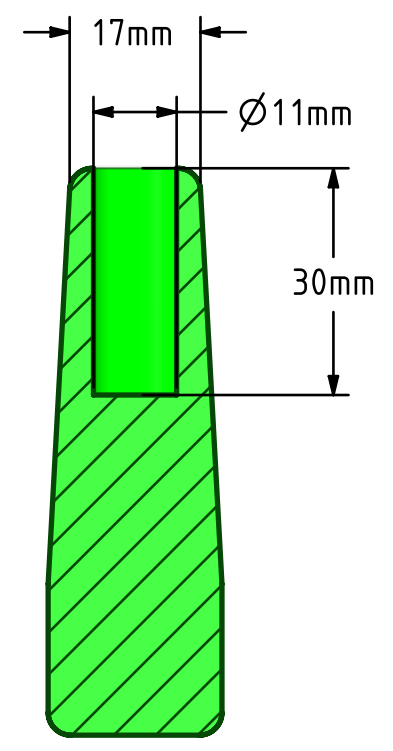
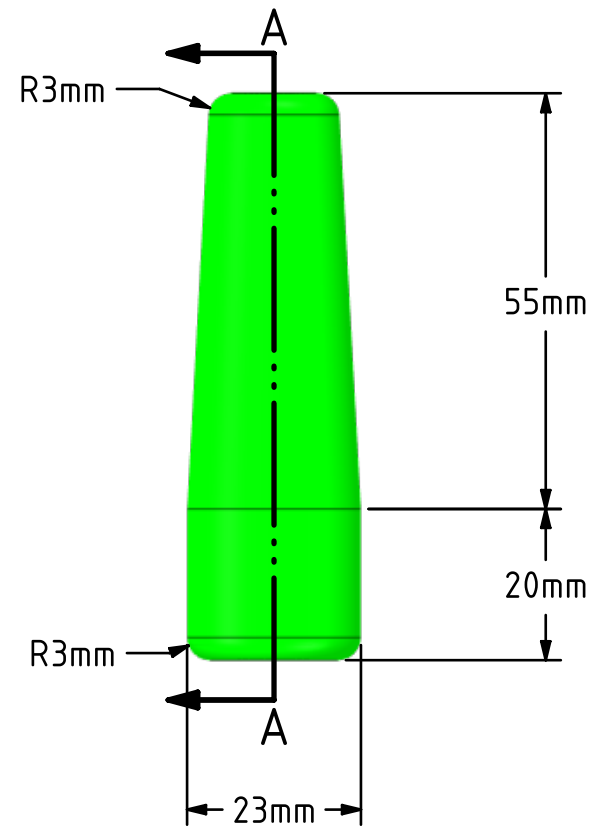


REVISION HISTORY

REV	DESCRIPTION	INCORP BY	DATE	CHECKED

NOTES:



SECTION A-A

-2		-1		ITEM	PART OR IDENTIFYING NO.	NOMENCLATURE OR DESCRIPTION			
QTY	REQD	NO.	NO.						
PARTS LIST									
INIT	APPROVALS	DATE	INIT	APPROVALS	DATE	TITLE			
						SIZE	CAGE CODE	DWG NO.	REV
						SCALE	SHEET		

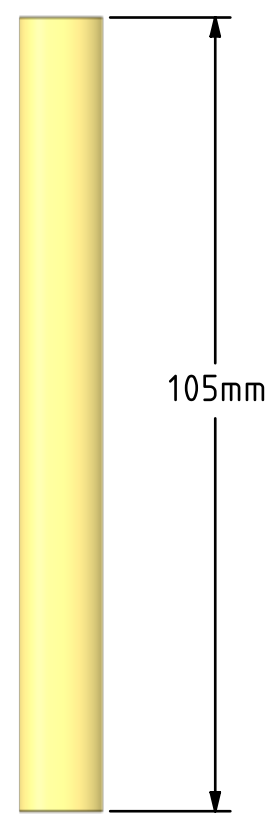
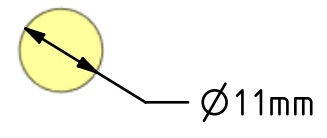
THIRD ANGLE PROJECTION	CONTRACT NO.	MATERIAL
	FINISH	
	TREATMENT	
	NEXT ASSY	USED ON
	APPLICATION	
		SIMILAR TO



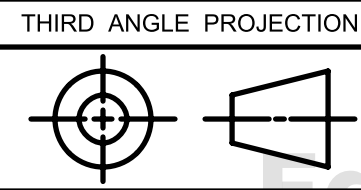
REVISION HISTORY

REV	DESCRIPTION	INCORP BY	DATE	CHECKED
-----	-------------	-----------	------	---------

NOTES:



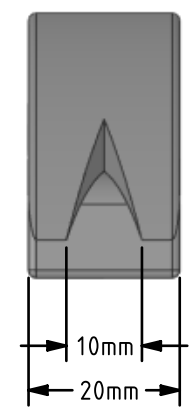
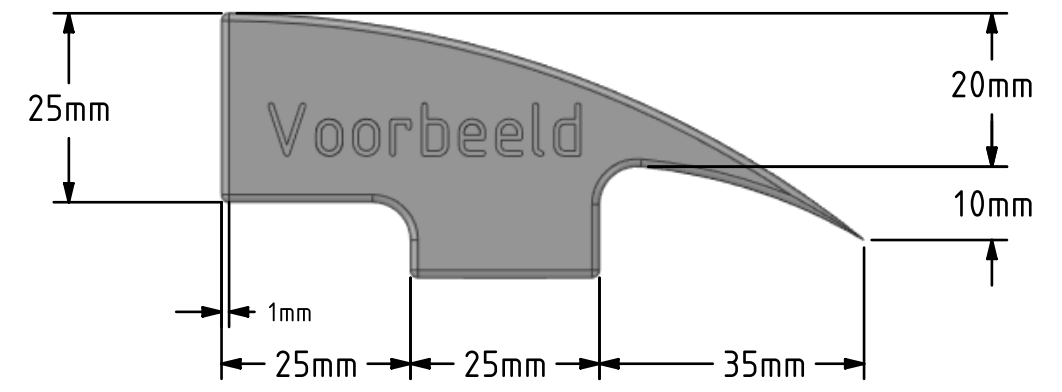
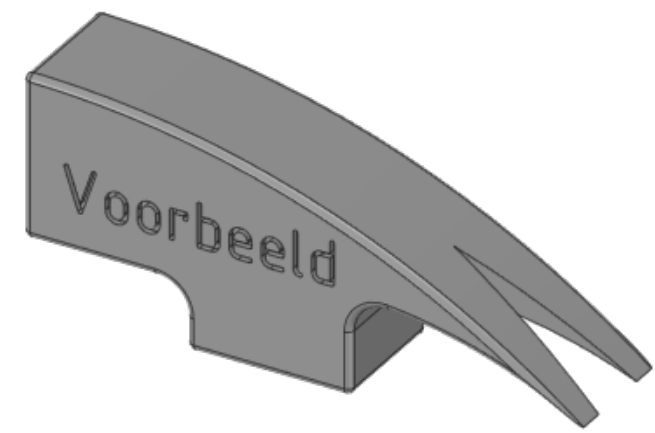
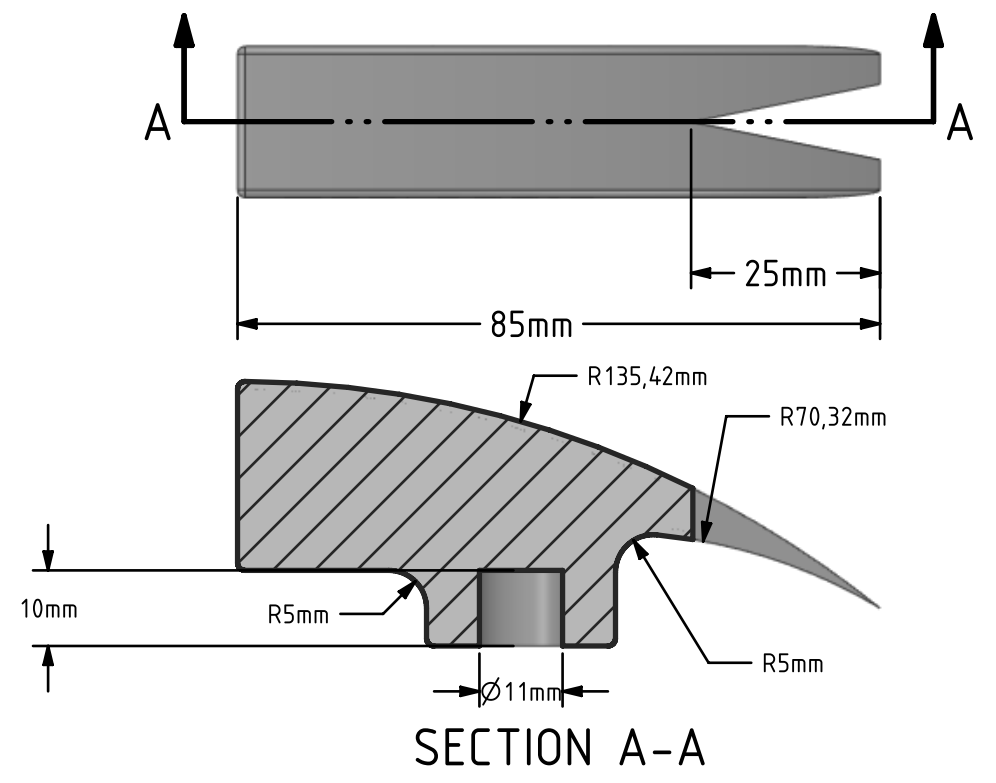
-2		-1		ITEM NO.	PART OR IDENTIFYING NO.	NOMENCLATURE OR DESCRIPTION	
QTY	REQD						
PARTS LIST							
INIT	APPROVALS	DATE	INIT	APPROVALS	DATE	TITLE	
CONTRACT NO.		MATERIAL					
		FINISH					
		TREATMENT					
NEXT ASSY		USED ON		SIMILAR TO		SIZE	CAGE CODE
APPLICATION						B	DWG NO.
						SCALE	REV
						SHEET	



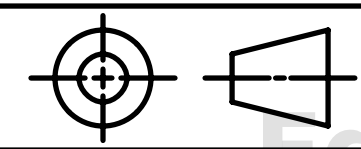
REVISION HISTORY

REV	DESCRIPTION	INCORP BY	DATE	CHECKED

NOTES:



-2		-1		ITEM	PART OR IDENTIFYING NO.	NOMENCLATURE OR DESCRIPTION			
QTY REQD				NO.					
PARTS LIST									
INIT	APPROVALS	DATE	INIT	APPROVALS	DATE	TITLE			
CONTRACT NO.		MATERIAL		SIZE B			CAGE CODE	DWG NO.	REV
NEXT ASSY		USED ON							
THIRD ANGLE PROJECTION		TREATMENT		SCALE			SHEET		
SIMILAR TO		APPLICATION							

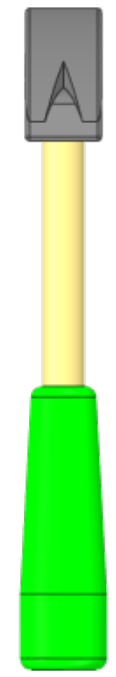
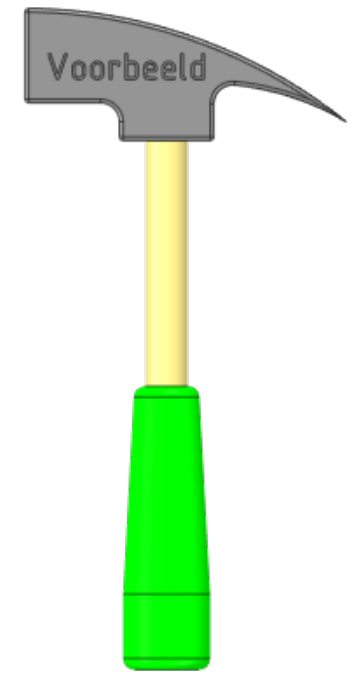
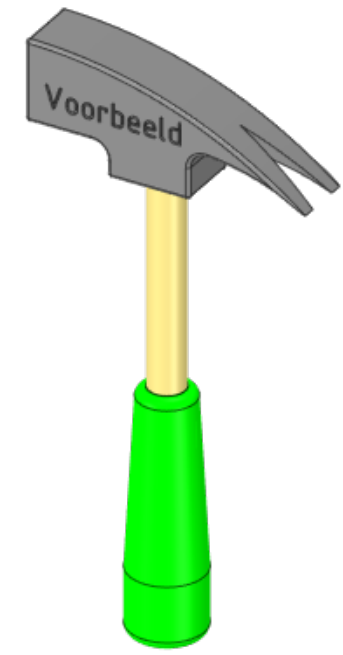




REVISION HISTORY

REV	DESCRIPTION	INCORP BY	DATE	CHECKED
-----	-------------	-----------	------	---------

NOTES:



-2		-1		ITEM	PART OR IDENTIFYING NO.	NOMENCLATURE OR DESCRIPTION			
QTY REQD			NO.						
PARTS LIST									
INIT	APPROVALS	DATE	INIT	APPROVALS	DATE	TITLE			
CONTRACT NO.		MATERIAL		SIZE B			CAGE CODE	DWG NO.	REV
NEXT ASSY		USED ON		SCALE			SHEET		
APPLICATION		SIMILAR TO							

